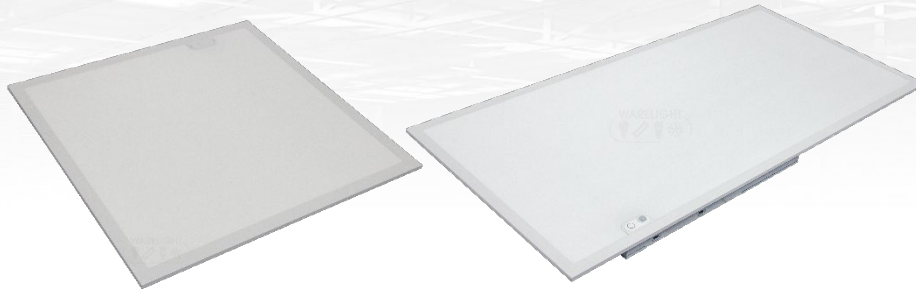




INDUSTRIAL AND COMMERCIAL
LIGHTING MFR SINCE 2003

PROJECT NAME _____
ITEM # _____
FIXTURE SCHEDULE _____
NOTES _____

Back-Lit Flat Panel Series



WareLight's Back-Lit LED Flat Panel is a high-efficiency lighting solution designed to bring uniform, flicker-free illumination to commercial and industrial environments. Engineered with a slim, durable design and back-lit LED technology, this fixture delivers consistent brightness while minimizing glare and shadowing. With selectable wattage and color temperature options, it offers exceptional flexibility to meet the unique lighting needs of offices, schools, retail spaces, and healthcare facilities.

Specifications

| | | | |
|-------------------|----------------------------|----------------------------|-----------------------------------|
| CRI | >80 | Ratings and Certifications | ETL and DLC Premium |
| Light Source | LED | Dimmable | 0-10V |
| Voltage | 120-277 | Beam Angle | 120° |
| Color Temperature | 35/40/50/57/65K Selectable | Mounting Options | Drop Ceiling, Surface Mounted |
| Wattage | 12-72W Selectable | Operating Temperature | -20° C to 50° C (-4° F to 122° F) |
| LPW | 125Lm/W | Lumens | 2,500-9,000Lm |
| Housing | Aluminum Exterior | Finish | White |
| Lifespan | 50,000 | Warranty | 5 Year |





INDUSTRIAL AND COMMERCIAL
LIGHTING MFR SINCE 2003

PROJECT NAME _____
ITEM # _____
FIXTURE SCHEDULE _____
NOTES _____

Order Information

| WL-BLPLED Series | | | Example: WL-BLPLED-2x2-32W-5WS-5CCT-DM010 | | |
|------------------|---|---|--|-----------------------------------|--|
| Series | Length | Wattage | Color Temperature | Dimming | Sensors |
| WL-BLPLED | 2x2 2X2 Available in 40W | 32W-5WS 12/17/22/27/32W Selectable | 5CCT 35/40/50/57/65K Selectable | DM010 0-10V Dimmable | blank No Sensor |
| | 2x4 2x4 Available in 50W and 72W | 50W-5WS 20/25/30/40/50W Selectable | | | MS Motion Sensor *Remote Required |
| | | 72W-4WS 30/40/50/60/72W Selectable | | | BMS Bluetooth Sensor - WareSense Blue |

Performance Chart

| Item | Wattage | Lumens | Efficacy | CRI |
|----------------------------------|-----------------|--------------------------|----------|-----|
| WL-BLPLED-2x2-32W-5WS-5CCT-DM010 | 12/17/22/27/32W | 2500/3125/3750/4375/5000 | 125 LM/W | >80 |
| WL-BLPLED-2x4-50W-5WS-5CCT-DM010 | 20/25/30/40/50W | 2500/3125/3750/5000/6250 | 125 LM/W | >80 |
| WL-BLPLED-2x4-72W-5WS-5CCT-DM010 | 30/40/50/60/72W | 3750/5000/6250/7500/9000 | 125 LM/W | >80 |

Dimensions

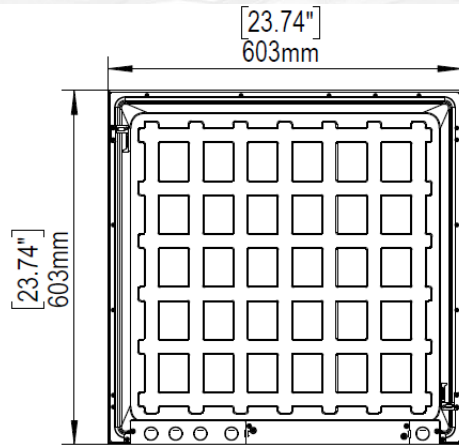
| Item | Length | Width | Height | Weight |
|----------------------------------|--------|--------|--------|--------|
| WL-BLPLED-2x2-32W-5WS-5CCT-DM010 | 23.74" | 23.74" | 1.17" | |
| WL-BLPLED-2x4-50W-5WS-5CCT-DM010 | 47.72" | 23.74" | 1.17" | |
| WL-BLPLED-2x4-72W-5WS-5CCT-DM010 | 47.72" | 23.74" | 1.48" | |



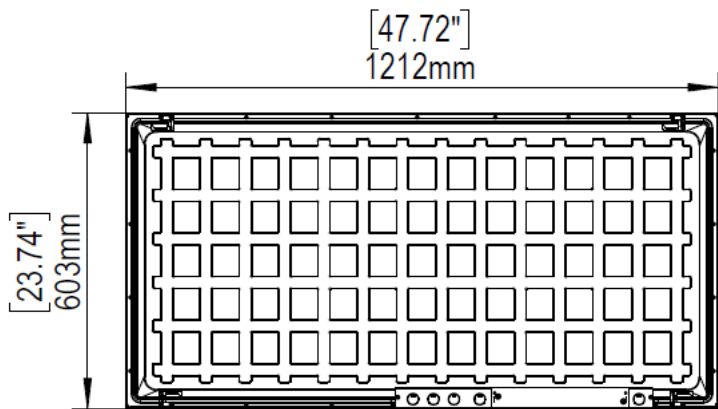
INDUSTRIAL AND COMMERCIAL
LIGHTING MFR SINCE 2003

PROJECT NAME _____
ITEM # _____
FIXTURE SCHEDULE _____
NOTES _____

WL-BLPLED-2x2



WL-BLPLED-2x4-50W & 72W

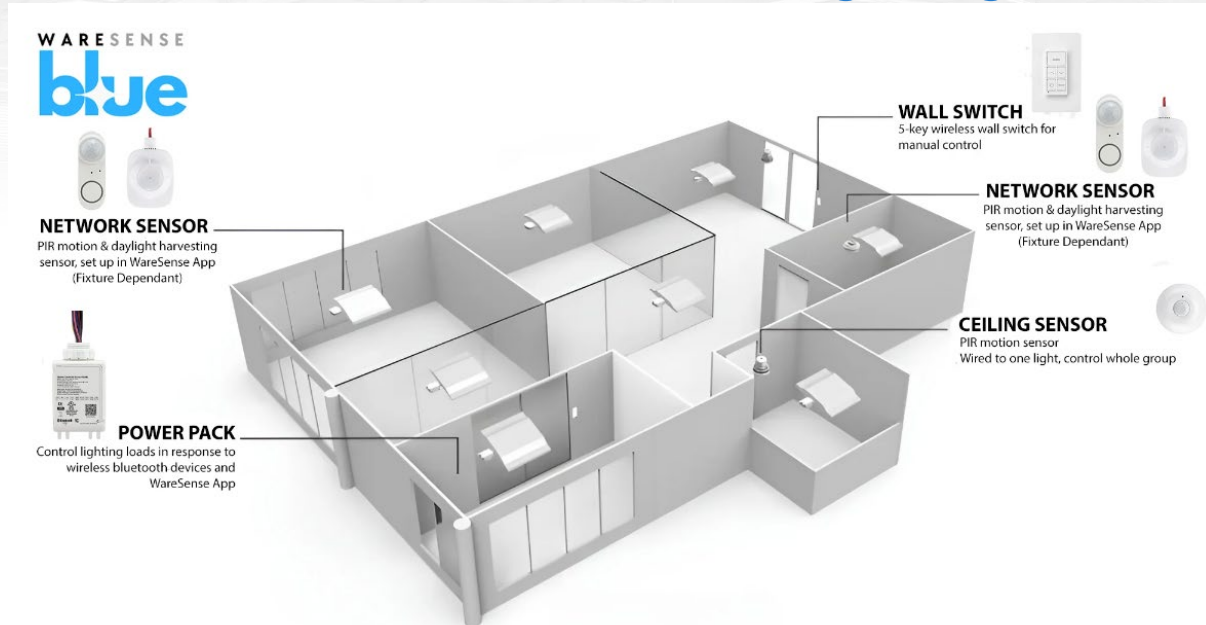




INDUSTRIAL AND COMMERCIAL
LIGHTING MFR SINCE 2003

PROJECT NAME
ITEM #
FIXTURE SCHEDULE
NOTES

WareSense Blue: Your All-In-One Lighting Solution



A simple and cost effective localized networked lighting control system using bluetooth mesh.

WareSense Blue delivers a comprehensive, gateway-free wireless solution for managing lighting across diverse settings. This innovative system features wireless controllers for fixtures, switches, and sensors for occupancy and daylight harvesting, all leveraging Bluetooth® technology. Additionally, the system includes a fixture-mounted controller and sensor that combine wireless communication and occupancy/daylight harvesting control into a single unit. Each component is uniquely addressed to send, receive, and share control commands wirelessly. Scalability is straightforward, as each device relays information to the next, extending the network's range and control capabilities.

App Download



INTEGRATED LOW VOLTAGE DAYLIGHT HARVESTING/BI-LEVEL PIR MOTION SENSOR-IFS06R



MODELS

IFS06R, 12V DC

SPECIFICATIONS AND FEATURES

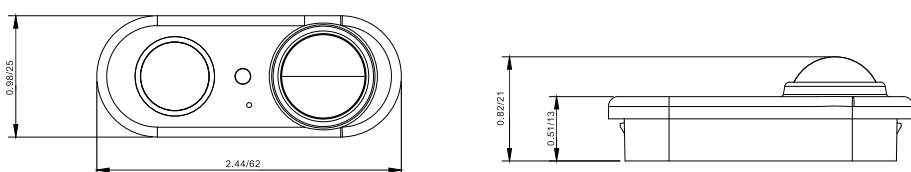
Input Voltage: 12V DC
 Input Current: 9mA
 Standby Power: 0.1W
 Warranty: Five year warranty
 Detection range: 32ft Max
 Mounting height: 23ft Max
 IP rate: IP20
 Op. temperature: -30F~131F
 (-30°C~55°C)
 Fixture Die Cut: 20.8x64.8mm

PRODUCT OVERVIEW

INTEGRATED LOW VOLTAGE DAYLIGHT HARVESTING/BI-LEVEL PIR MOTION SENSOR-IFS06R

IFS06R is compact size PIR sensor combines occupancy sensing with photocell. When used with 0-10V dim-to-off LED drivers, it enables any lighting manufacturer to deliver sensor-equipped fixtures with minimal engineering effort. It operates on 12V DC which can be supplied by a LED driver, which will save OEM cost on manufacturer side. Different mode can be selected according to different applications through RM5 I IR remote controller. The integrated photocell can switch the lights on and off for dusk to dawn control, so that lighting remains on overnight even without motion detection. Under daylight harvesting mode, the auto-calibration function can control the amount of electric light by measuring the overall combined natural and electric light to achieve the desired light level. Support push button wire connection. Support super low profile luminaire.

DIMENSION

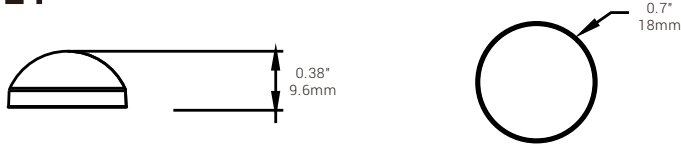


WIRING

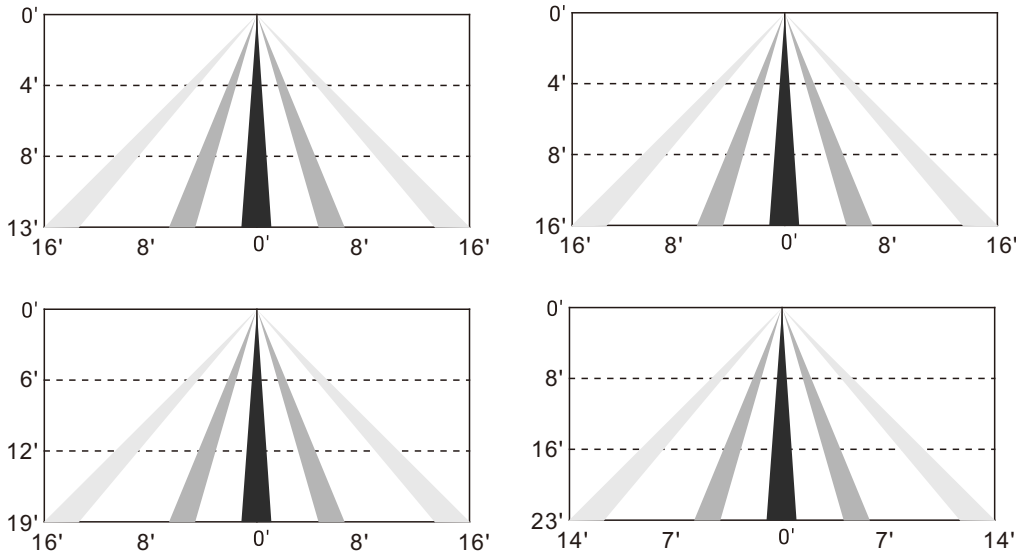


DIMENSIONS

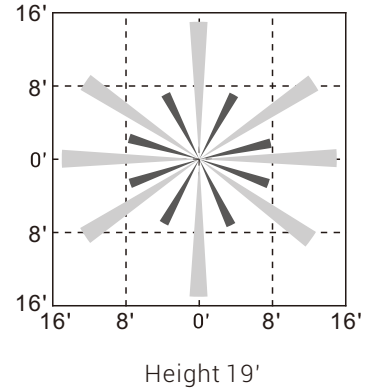
LBL1



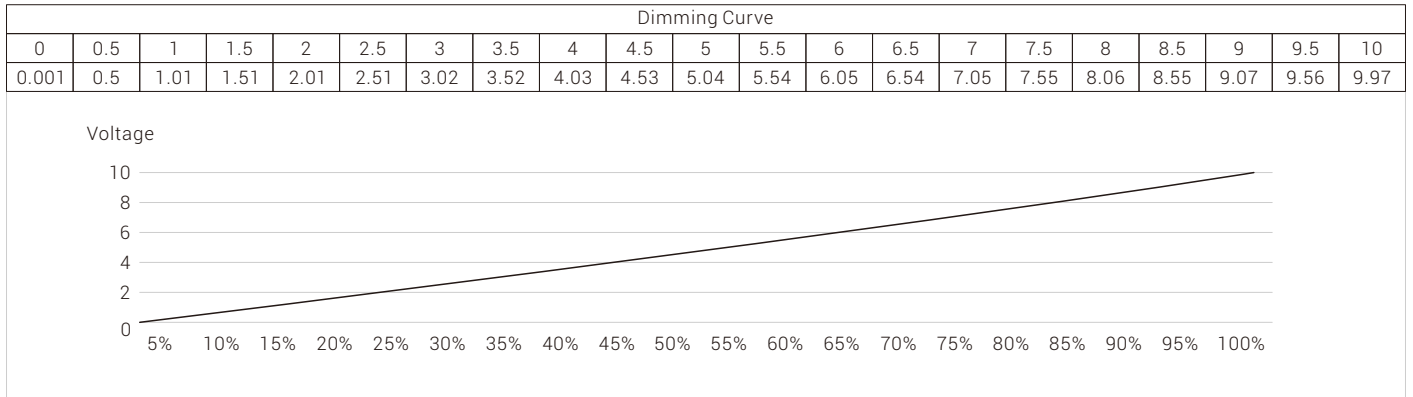
LBL1 Coverage Side View



LBL1 Coverage Top View



DIMMING CURVE



REMOTE INSTRUCTION

Memory Mode (Commissioning) To begin commissioning, follow the steps below:

1. Select either A, B, C, D.
 2. Indicator lights on the remote will flash to indicate the current saved settings.
 3. Settings can be configured by pressing appropriate buttons in the highlighted gray area of the remote. (TRIM-LEVEL, SENSITIVITY, HOLD TIME, STANDBY DIM, STANDBY TIME, and PHOTOCELL). Review selected settings and make changes as necessary.
 4. Point IR remote to desired luminaire for configuration and press "SEND".
 5. If configuration is successful, luminaire will flash two times suggesting settings are saved. Any parameter change to the current saved settings on A to F will override previous settings and will be automatically saved on the remote. If configuring multiple luminaires, select the configured memory mode A to E then follow steps 4 and 5.
- *** **E Mode** allows visual adjustment to choose the desired dimming Level.

Continuous Adjustment Mode or Daylight Harvesting (F Mode)

Enables dimmability in response to daylight availability.

1. Point IR remote to desired luminaire
2. Press "ON" then press DIM+ or DIM- to adjust dimming level.
3. Press "F", indicator lights on the remote will indicate current saved settings. Note: only TRIM-LEVEL, SENSITIVITY, and HOLD TIME can be selected for Daylight Harvesting settings.
4. Review selected settings and make changes as necessary. Press "SEND".
5. If configuration is successful, luminaire will flash twice to confirm setting saved.
If configuring multiple luminaires, select the configured DAYLIGHT HARVESTING settings then follow steps 4 and 5.

| | |
|----------------------------|---|
| ON | Turns On Luminaires |
| OFF | Turns OFF Luminaires |
| TEST | Test mode will last 5 mins then return to previous setting Test mode will hold time 2 seconds SDL 50% and standby time 2 seconds |
| RESET | See below for factory settings highlighted in yellow |
| DIM+/- | Remote will manually dim luminaire up or down by increments of 0.5volts. Must be smooth dimming if holding dimming button. |
| TRIM-LEVEL | Set Maximum threshold value 50/75/100%(Default = 100%) |
| SENSITIVITY | OFF(PIR OFF Enter PC ON/OFF function)/LOW(50%)/HIGH (100%) (Default=HIGH) |
| HOLD TIME | (time of no occupancy after which fixture goes to stand by) 30s / 5min /15min / 30min (Default= 5min) |
| F MODE DAYLIGHT HARVESTING | (Enable/Disable) Measure and set feature to allow the fixture to maintain a light level. If turned ON. (Default = Disabled) |
| STANDBY DIM | Select any standby dim level 0/10/30/50% (Default=50%) |
| STANDBY TIME | Stand by time - 10s / 5min /15min / 30min / 1h / ∞. "∞" means the stand-by time is infinite and the fixture is effectively controlled by the daylight sensor) (Default=30min) |
| PHOTOCELL | LOW (1fc) MED (20fc) and HIGH (50fc) settings (Default = Disabled) CAL Collecting The current Lux Level |
| MODE | Set settings to a Program profile A to D |
| SEND | Send settings to sensor |

