



INDUSTRIAL AND COMMERCIAL
LIGHTING MFR SINCE 2003

PROJECT NAME _____
ITEM # _____
FIXTURE SCHEDULE _____
NOTES _____

Full Cutoff Wall Pack Series



WareLight's LED Traditional Full Cutoff Wall Pack is a highly versatile and energy-efficient fixture. This wall pack is IP65 rated, ensuring it is suitable for outdoor environments, resistant to dust and water. The wall pack incorporates advanced options such as 0-10V dimming and can be enhanced with optional accessories like a motion sensor or emergency battery backup. It is an ideal choice for enhancing the safety and visibility in areas such as entrances, courtyards, industrial sites, and building perimeters.

Specifications

CRI	>80	Beam Angle	T2-S Degree
Light Source	LED	Mounting	Wall Mounted
Dimmable	0-10V	Operating Temperature	-40°C TO 50°C
CCT	Selectable 3000K/4000K/5000K	Housing	Extruded Aluminum
Wattage	20W-120W	Voltage	120-277v
LPW	139-148 LPW	Finish	Bronze
Lumens	2,820-17,760 Lm	Warranty	5 Years
Ratings and Certifications	DLC Premium, cULus and IP65		

**Data is considered to be representative of the series. Actual production may vary between up to ±10% of initial delivered lumens.*





INDUSTRIAL AND COMMERCIAL
LIGHTING MFR SINCE 2003

PROJECT NAME _____
ITEM # _____
FIXTURE SCHEDULE _____
NOTES _____

Order Information

Traditional Full Cutoff Wall Pack Series		Example: WL-TFCWP-40W-3CTS-10D-PC-BZ				
Series	Wattage	Color Temperature	Dimming	Photocell	Color	Accessories
WL-TFCWP	40W 20W/30W/40W	3CTS 3000K/4000K/5000K	10D 0-10V	PC Photocell	BZ Bronze	MS PIR Motion Sensor EM Emergency Battery Backup
	80W 40W/60W/80W					
	120W 80W/100W/120W					

*Accessories Sold Separately

PIR Motion Sensor (MS)



Emergency Battery Backup (EM)



Remote Control (HB03R) One remote needed per project



Performance Chart

Model Number	Wattage	Lumens	Efficacy	CRI
WL-TFCWP-40W-3CTS-10D-PC-BZ	20W/30W/40W	2,820-5,640 Lm	141 LM/W	>80
WL-TFCWP-80W-3CTS-10D-PC-BZ	40W/60W/80W	5,560-11,120 Lm	139 LM/W	>80
WL-TFCWP-120W-3CTS-10D-PC-BZ	80W/100W/120W	11,840-17,760 Lm	148 LM/W	>80



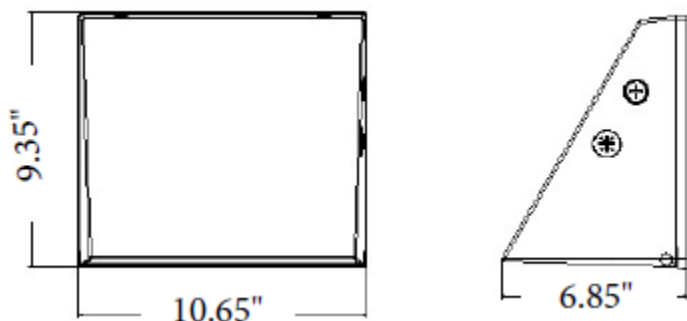
INDUSTRIAL AND COMMERCIAL
LIGHTING MFR SINCE 2003

PROJECT NAME _____
ITEM # _____
FIXTURE SCHEDULE _____
NOTES _____

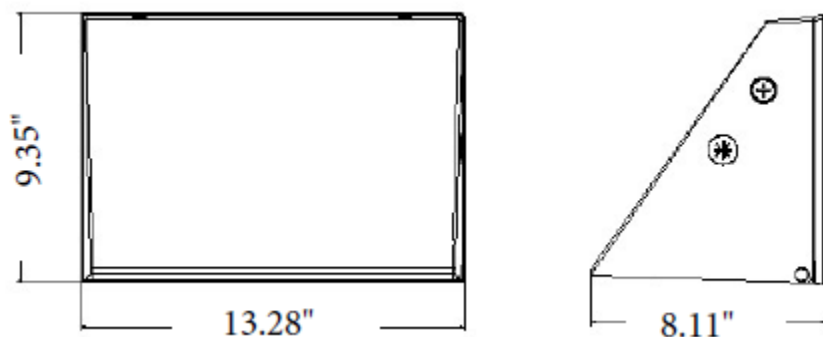
Dimensions

Item	Length	Width	Height	Weight
WL-TFCWP-40W-3CTS-10D-PC-BZ	10.65"	6.85"	9.35"	3.40 lbs.
WL-TFCWP-80W-3CTS-10D-PC-BZ	10.65"	6.85"	9.35"	3.40 lbs.
WL-TFCWP-120W-3CTS-10D-PC-BZ	13.28"	8.11"	9.35"	4.20 lbs.

WL-TFCWP-40W & 80W



WL-TFCWP-120W



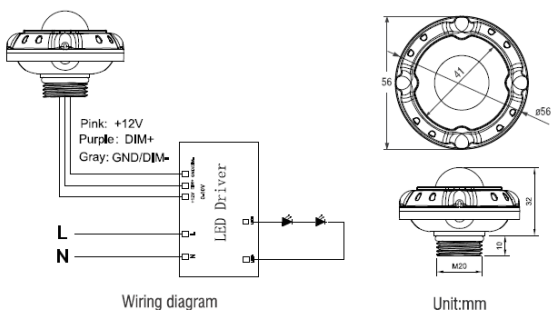


INDUSTRIAL AND COMMERCIAL
LIGHTING MFR SINCE 2003

PROJECT NAME _____
ITEM # _____
FIXTURE SCHEDULE _____
NOTES _____

PIR Motion Sensor

Technical Data



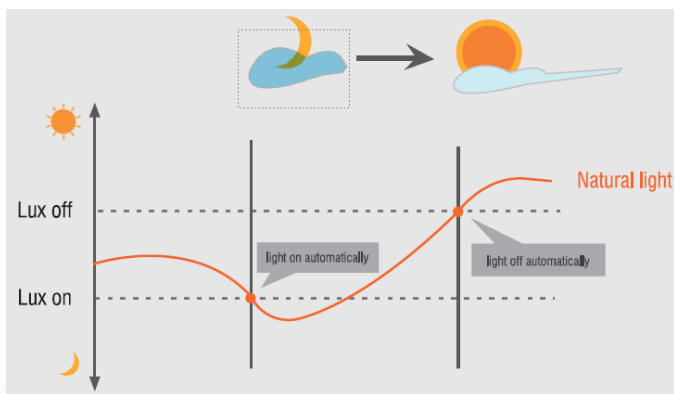
Operating voltage	12±2V DC
Operating current	30mA
Output	DIM 0-10V
Stand-by power	<0.5W
Brightness	0%-100%/Quick setting: 70%/80%/90%/100%
Hold time	10s/1min/10min/30min
Daylight threshold	10Lux/30Lux/50Lux/100Lux/Disable
Stand-by time	1min/30min/60min/+∞
Stand-by dimming level	10%/20%/30%/50%
Detection angle	30-120°
Control line	Pink: +12V; Purple: DIM+; Gray: GND/DIM-
Mounting height	Max.6m(ceiling mounted)
Detection range	Max.ø8m(ceiling mounted) Max.6m(wall mounted)
Operating temperature	-30°C~+60°C
IP rating	IP65

Lux On/Off

Adopted dual PD technology, the PIR sensor is able to differentiate artificial light brightness from natural light after installed inside the fixture, and automatically turn off light when ambient brightness exceeds preset lux level.

Preconditions to use the Lux-off function:

1. Stand by time is +∞
2. Stand-by dimming level is on 10%, 20%, 30%, or 50%
3. Daylight threshold is on 10Lux, 30Lux, 50Lux, 100Lux



Detection Coverage

Wall Mounted

