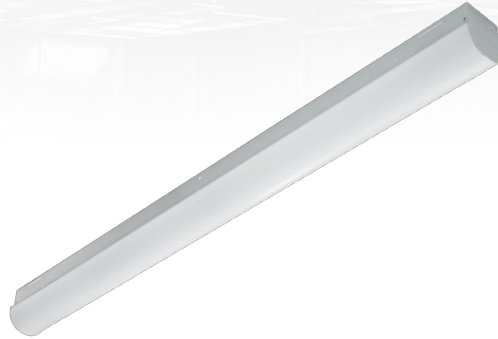


STLED G3 Series



This DLC Standard v5.1 strip light series is a great solution for commercial, industrial, retail, and residential applications. The sleek and slim design make these LED strip lights ideal for size-restricted locations and lower ceiling heights. Fixture can be used in storage/utility areas, display cases, shops, tasks, and general area lighting.

Specifications – STLED4

CRI	80+	Ratings and Certifications	cULus, Damp Locations, DLC Standard v5.1
Light Source	LED	Voltage	120-277V
Dimmable	0-10V dimming type is continuous to 10%	Surge	2kV
CCT	3500K / 4000K / 5000K	Mounting Options	Surface mount or suspended (v-hook)
Wattage	25W / 30W / 35W	Operating Temperature	-20° C to 50° C (-4° F to 122° F)
LPW	130	Lens	PMMA
Lumens**	3036 / 3752 / 5200	Warranty	5 Years
Lifespan	> 100,000 hours to L70 @ 21° (70° F)		

Data is considered to be representative of the series. Actual production may vary between up to ±10% of initial delivered lumens.

** Lumen values based on 5000K.



Order Information

Blade G3 Series				Example: STLED8-C90WT-DMV-G3
Series	Length	CCT/Wattage	Dimming	Generation
STLED	4 4 Foot	C35WT Selectable CCT - 35K / 40K / 50K Watt - 25w / 30w / 35w	DMV 0-10v Dimming Continuous to 10%	G3
	8 8 Foot	C90WT Selectable CCT - 35K / 40K / 50K Watt - 65w / 70w / 90w		

Mount Options

Surface Mount



Suspended (v-hook)



DLC Information

Item	DLC Version	DLC ID	Wattage	Lumens
STLED4-C35WT-DMV-G3	5.1 Standard	S-CM96ZN	35W	4620
STLED8-C90WT-DMV-G3	5.1 Standard	S-C6Y9B8	90W	12150



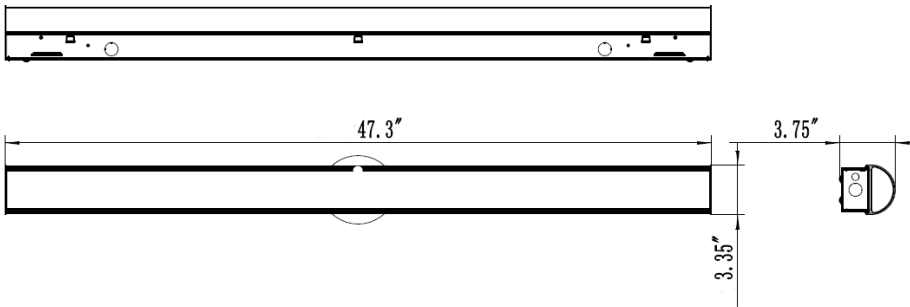
INDUSTRIAL AND COMMERCIAL
LIGHTING MFR SINCE 2003

PROJECT NAME _____
ITEM # _____
FIXTURE SCHEDULE _____
NOTES _____

Dimensions

Item	Length	Width	Height	Weight
STLED4-C35WT-DMV-G3	47.3"	3.4"	3.6"	4.51 lbs.
STLED8-C90WT-DMV-G3	94.2"	3.4"	3.6"	9.02 lbs.

STLED4



STLED8

